

SPECIFICATIONS



ENGINE

Model..... Komatsu SAA6D107E-3*
 Type..... Water-cooled, 4-cycle, direct injection
 Aspiration..... Variable Geometry Turbocharged, aftercooled, cooled EGR
 Number of cylinders..... 6
 Bore..... 107 mm **4.21"**
 Stroke..... 124 mm **4.88"**
 Piston displacement..... 6.69 ltr **408 in³**
 Horsepower
 ISO 9249 / SAE J1349..... Net 122.8 kW **165 HP**
 Fan at maximum speed..... Net 118.6 kW **159 HP**
 Rated rpm..... 2000 rpm
 Fan drive method for cooling radiator..... Mechanical with viscous fan clutch
 Governor..... All-speed control, electronic
 *EPA Tier 4 Final emissions certified



HYDRAULICS

Type..... HydrauMind (Hydraulic Mechanical Intelligence New Design) system, closed-center system with load sensing valves and pressure compensated valves
 Number of selectable working modes..... 6
 Main pump:
 Type..... Variable displacement piston type
 Pumps for..... Boom, arm, bucket, swing, and travel circuits
 Maximum flow..... 475 ltr/min **125.5 gal/min**
 Supply for control circuit..... Self-reducing valve
 Hydraulic motors:
 Travel..... 2 x axial piston motors with parking brake
 Swing..... 1 x axial piston motor with swing holding brake
 Relief valve setting:
 Implement circuits..... 37.3 MPa 380 kg/cm² **5,400 psi**
 Travel circuit..... 37.3 MPa 380 kg/cm² **5,400 psi**
 Swing circuit..... 28.9 MPa 295 kg/cm² **4,190 psi**
 Pilot circuit..... 3.2 MPa 33 kg/cm² **470 psi**
 Hydraulic cylinders:
 (Number of cylinders – bore x stroke x rod diameter)
 Boom .. 2–130 mm x 1334 mm x 90 mm **5.1" x 52.5" x 3.5"**
 Arm 1–135 mm x 1490 mm x 95 mm **5.3" x 58.7" x 3.7"**
 Bucket.. 1–115 mm x 1105 mm x 80 mm **4.5" x 43.5" x 3.2"**



DRIVES AND BRAKES

Steering control..... Two levers with pedals
 Drive method..... Hydrostatic
 Maximum drawbar pull..... 202 kN 20570 kg **45,349 lb**
 Gradeability..... 70%, 35°
 Maximum travel speed: High..... 5.5 km/h **3.4 mph**
 (Auto-Shift) Mid..... 4.1 km/h **2.5 mph**
 (Auto-Shift) Low..... 3.0 km/h **1.9 mph**
 Service brake..... Hydraulic lock
 Parking brake..... Mechanical disc brake



SWING SYSTEM

Drive method..... Hydrostatic
 Swing reduction..... Planetary gear
 Swing circle lubrication..... Grease-bathed
 Service brake..... Hydraulic lock
 Holding brake/Swing lock..... Mechanical disc brake
 Swing speed..... 12.4 rpm
 Swing torque..... 6900 kg•m **49,907 ft lbs**



UNDERCARRIAGE

Center frame..... X-frame
 Track frame..... Box-section
 Seal of track..... Sealed track
 Track adjuster..... Hydraulic
 Number of shoes (each side)..... 49
 Number of carrier rollers (each side)..... 2
 Number of track rollers (each side)..... 9



COOLANT & LUBRICANT CAPACITY (REFILLING)

Fuel tank..... 400 ltr **105.7 U.S. gal**
 Coolant..... 30.7 ltr **8.1 U.S. gal**
 Engine..... 23.1 ltr **6.1 U.S. gal**
 Final drive, each side..... 5.0 ltr **1.3 U.S. gal**
 Swing drive..... 6.5 ltr **1.7 U.S. gal**
 Hydraulic tank..... 132 ltr **34.9 U.S. gal**
 Hydraulic system..... 234 ltr **61.8 U.S. gal**
 DEF tank..... 23.1 ltr **6.1 U.S. gal**



SOUND PERFORMANCE

Exterior – ISO 6395..... 100 dB(A)
 Interior – ISO 6396..... 66 dB(A)



OPERATING WEIGHT (APPROXIMATE)

Operating weight includes 5700 mm **18'8"** one-piece boom, 2925 mm **9'7"** arm, SAE heaped 1.19 m³ **1.57 yd³** bucket, rated capacity of lubricants, coolant, full fuel tank, operator, and standard equipment.

Triple-Grouser Shoes	Operating Weight	Ground Pressure (ISO 16754)
700 mm 28"	24160 kg 53,265 lb	0.47 kg/cm ² 6.7 psi
800 mm 31.5"	24440 kg 53,882 lb	0.42 kg/cm ² 5.9 psi

Component Weights

Arm including bucket cylinder and linkage
 2900 mm **9'7"** HD arm assembly..... 1136 kg **2,505 lb**
 2900 mm **9'7"** HD arm assembly w/piping..... 1200 kg **2,646 lb**
One piece boom including arm cylinder
 5700 mm **18'8"** boom assembly..... 1885 kg **4,156 lb**
 5700 mm **18'8"** HD boom assembly w/piping.. 1953 kg **4,306 lb**
 Boom cylinders x 2..... 205 kg **452 lb**
 Counterweight (standard)..... 4370 kg **9,634 lb**
 1.19 m³ **1.57 yd³** bucket - 48" width..... 949 kg **2,092 lb**

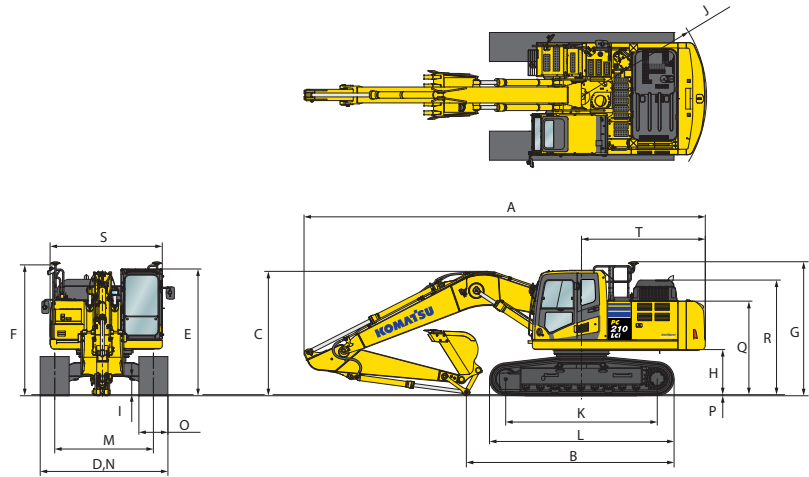
PG210LG-11 / PG210LGH-11



DIMENSIONS

Arm Length	2925 mm	9'7"
A Overall length	9705 mm	31'10"
B Length on ground (transport)	5000 mm	16'5"
C Overall height (to top of boom)*	2995 mm	9'10"
D Overall width	3080 mm	10'1"
E Overall height (to top of cab)*	3045 mm	10'0"
F Overall height (to top of handrail)*	3135 mm	10'3"
G Overall height (to top of GNSS antenna)*	3205 mm	10'6"
H Ground clearance, counterweight	1085 mm	3'7"
I Ground clearance, minimum	440 mm	1'5"
J Tail swing radius	3020 mm	9'11"
K Track length on ground	3655 mm	12'0"
L Track length	4450 mm	14'7"
M Track gauge	2380 mm	7'10"
N Width of crawler	3080 mm	10'1"
O Shoe width	700 mm	28"
P Grouser height	26 mm	1"
Q Machine height to top of counterweight	2250 mm	7'5"
R Machine height to top of engine cover	2765 mm	9'1"
S Machine upper width	2705 mm	8'10"
T Distance, swing center to rear end	2990 mm	9'10"

* : Including grouser height



BACKHOE BUCKET, ARM AND BOOM COMBINATION

Bucket Type	Bucket			5.7 m (18'8") Boom	
	Capacity	Width	Weight	2.9 m (9'7")	
Komatsu TL	0.50 m ³	0.66 yd ³	610 mm 24"	605 kg 1,334 lb	●
	0.67 m ³	0.88 yd ³	762 mm 30"	689 kg 1,518 lb	●
	0.85 m ³	1.11 yd ³	914 mm 36"	780 kg 1,719 lb	●
	1.02 m ³	1.34 yd ³	1067 mm 42"	857 kg 1,890 lb	○
	1.20 m ³	1.57 yd ³	1219 mm 48"	949 kg 2,092 lb	□
Komatsu HP	0.50 m ³	0.66 yd ³	610 mm 24"	652 kg 1,437 lb	●
	0.67 m ³	0.88 yd ³	762 mm 30"	763 kg 1,681 lb	●
	0.85 m ³	1.11 yd ³	914 mm 36"	868 kg 1,913 lb	●
	1.02 m ³	1.34 yd ³	1067 mm 42"	950 kg 2,095 lb	○
	1.20 m ³	1.57 yd ³	1219 mm 48"	1066 kg 2,349 lb	⊙
Komatsu HPS	0.50 m ³	0.66 yd ³	610 mm 24"	724 kg 1,597 lb	●
	0.67 m ³	0.88 yd ³	762 mm 30"	840 kg 1,851 lb	●
	0.85 m ³	1.11 yd ³	914 mm 36"	962 kg 2,120 lb	●
	1.02 m ³	1.34 yd ³	1067 mm 42"	1061 kg 2,339 lb	□
	1.20 m ³	1.57 yd ³	1219 mm 48"	1193 kg 2,630 lb	⊙
Komatsu HPX	0.50 m ³	0.66 yd ³	610 mm 24"	824 kg 1,817 lb	●
	0.67 m ³	0.88 yd ³	762 mm 30"	939 kg 2,071 lb	●
	0.85 m ³	1.11 yd ³	914 mm 36"	1061 kg 2,340 lb	○
	1.02 m ³	1.34 yd ³	1067 mm 42"	1161 kg 2,559 lb	□
	1.20 m ³	1.57 yd ³	1219 mm 48"	1293 kg 2,850 lb	⊙

For best PC210LCi-11 semi-automatic machine control performance, observe maximum attachment weight:

- 1600 kg **3,528 lb** maximum for 2925 mm **9'7"** standard arm assembly

Exceeding recommended attachment weights may negatively impact performance and accuracy of semi-automatic function.

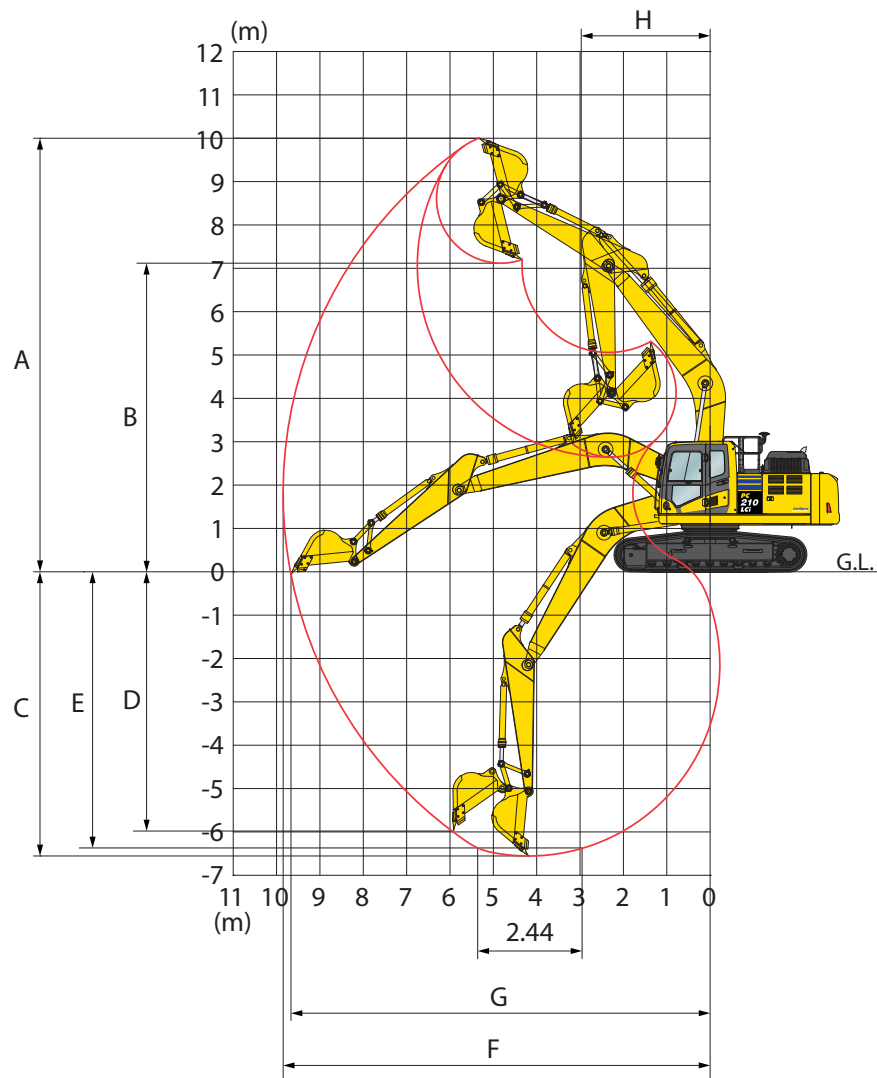
- - Used with material weights up to 3,500 lb/yd³ - Quarry/rock/high abrasion applications
- - Used with material weights up to 2,500 lb/yd³ - General construction

- - Used with material weights up to 3,000 lb/yd³ - Tough digging applications
- ⊙ - Used with material weights up to 2,000 lb/yd³ - Light materials applications
- X - Not useable

SPECIFICATIONS



WORKING RANGE



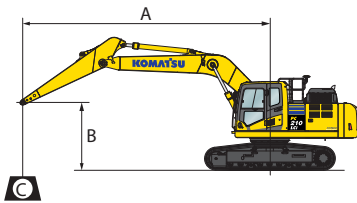
	Arm Length	2925 mm	9'7"
A	Max. digging height	9970 mm	32'9"
B	Max. dumping height	7110 mm	23'4"
C	Max. digging depth	6620 mm	21'9"
D	Max. vertical wall digging depth	5980 mm	19'7"
E	Max. digging depth for 8' level bottom	6370 mm	20'11"
F	Max. digging reach	9875 mm	32'5"
G	Max. digging reach at ground level	9700 mm	31'10"
H	Min. swing radius	3040 mm	10' 0"
SAE rating	Bucket digging force at power max.	132 kN 13500 kg / 29,762 lb	
	Arm crowd force at power max.	103 kN 10500 kg / 23,149 lb	
ISO rating	Bucket digging force at power max.	149 kN 15200 kg / 33,510 lb	
	Arm crowd force at power max.	108 kN 11000 kg / 24,251 lb	

PG210LG-11 / PG210LGH-11

LIFT CAPACITIES



LIFTING CAPACITY WITH LIFTING MODE



- A: Reach from swing center
- B: Bucket hook height
- C: Lifting capacity
- Cf: Rating over front
- Cs: Rating over side
- ⊗: Rating at maximum reach

Conditions:

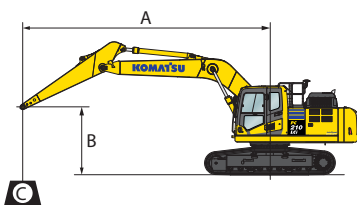
- 5700 mm 18' 8" one-piece boom
- Counterweight: 4370 kg 9,634 lb
- Bucket: None
- Lifting mode: On

Arm: 2900 mm 9'7" HD		Bucket: None				Shoes: 700 mm 28"				Unit: kg lb			
B	A	1.5 m 5'		3.0 m 10'		4.6 m 15'		6.1 m 20'		7.6 m 25'		MAX	
	MAX	Cf	Cs	Cf	Cs	Cf	Cs	Cf	Cs	Cf	Cs	Cf	Cs
7.6 m 25'	6.0 m 20'											* 4100	* 4100
												* 9100	* 9100
6.1 m 20'	7.2 m 24'							* 6550	6100			* 3850	* 3850
								* 14400	13500			* 8500	* 8500
4.6 m 15'	7.9 m 26'							* 7200	5950	* 5250	4300	* 3800	* 3800
								* 15850	13200	* 11600	9500	* 8450	* 8450
3.0 m 10'	8.3 m 27'			* 12850	* 12850	* 10350	8650	* 8250	5750	6200	4200	* 3950	3700
				* 28300	* 28300	* 22850	19100	* 18200	12700	13650	9300	* 8700	8250
1.5 m 5'	8.4 m 27'					* 12550	8150	8400	5550	6050	4100	* 4200	3600
						* 27700	18050	18500	12200	13400	9050	* 9350	8000
0 m 0'	8.1 m 27'			* 7450	* 7450	12850	7900	8200	5350	6000	4000	* 4750	3700
				* 16500	* 16500	28300	17450	18100	11850	13200	8900	* 10500	8150
-1.5 m -5'	7.6 m 25'			* 12000	* 12000	12750	7800	8150	5300	* 5850	4000	* 5650	4000
				* 26500	* 26500	28100	17300	17950	11700	* 12950	8850	* 12550	8800
-3.0 m -10'	6.7 m 22'			* 18500	14950	12800	7900	8150	5350			7100	4700
				* 40850	33000	28250	17400	18050	11800			15650	10400
-4.6 m -15'	5.3 m 17'			* 14950	* 14950	* 10650	8100					* 8900	6650
				* 32950	* 32950	* 23500	17850					* 19700	14700

*Asterisk indicates load is limited by hydraulic capacity rather than tipping. Ratings are based on ISO standard No. 10567. Rated load capacity does not exceed 87% of hydraulic lift capacity or 75% of tipping load. Total weight of bucket and/or installed attachments must be deducted from the capacities shown above. Lift capacity chart is based on machine located on a solid, level and uniform surface. Load ratings are at the arm bucket pin location, use of any attachment point in a different location to handle objects could affect excavator lift performance.



LIFTING CAPACITY WITH LIFTING MODE



- A: Reach from swing center
- B: Bucket hook height
- C: Lifting capacity
- Cf: Rating over front
- Cs: Rating over side
- ⊗: Rating at maximum reach

Conditions:

- 5700 mm 18' 8" one-piece boom
- Counterweight: 4370 kg 9,634 lb
- Bucket: None
- Lifting mode: On

Arm: 2900 mm 9'7" HD		Bucket: None				Shoes: 800 mm 31.5"				Unit: kg lb			
B	A	1.5 m 5'		3.0 m 10'		4.6 m 15'		6.1 m 20'		7.6 m 25'		MAX	
	MAX	Cf	Cs	Cf	Cs	Cf	Cs	Cf	Cs	Cf	Cs	Cf	Cs
7.6 m 25'	6.0 m 20'											* 4100	* 4100
												* 9100	* 9100
6.1 m 20'	7.2 m 24'							* 6550	6150			* 3850	* 3850
								* 14400	13650			* 8500	* 8500
4.6 m 15'	7.9 m 26'							* 7200	6050	* 5250	4350	* 3800	* 3800
								* 15850	13300	* 11600	9600	* 8450	* 8450
3.0 m 10'	8.3 m 27'			* 12850	* 12850	* 10350	8750	* 8250	5800	6250	4250	* 3950	3750
				* 28300	* 28300	* 22850	19250	* 18200	12850	13800	9400	* 8700	8300
1.5 m 5'	8.4 m 27'					* 12550	8250	8500	5600	6150	4160	* 4200	3650
						* 27700	18250	18700	12350	13550	9150	* 9350	8050
0 m 0'	8.1 m 27'			* 7450	* 7450	12950	8000	8300	5450	6050	4050	* 4750	3700
				* 16500	* 16500	28600	17650	18300	12000	13350	9000	* 10500	8250
-1.5 m -5'	7.6 m 25'			* 12000	* 12000	12850	7900	8200	5350	* 5850	4050	* 5650	4050
				* 26500	* 26500	28400	17450	18150	11850	* 12950	8950	* 12550	8900
-3.0 m -10'	6.7 m 22'			* 18500	15100	12950	7950	8250	5400			7150	4750
				* 40850	33350	28550	17600	18250	11900			15850	10500
-4.6 m -15'	5.3 m 17'			* 14950	* 14950	* 10650	8150					* 8900	6700
				* 32950	* 32950	* 23500	18050					* 19700	14850

*Asterisk indicates load is limited by hydraulic capacity rather than tipping. Ratings are based on ISO standard No. 10567. Rated load capacity does not exceed 87% of hydraulic lift capacity or 75% of tipping load. Total weight of bucket and/or installed attachments must be deducted from the capacities shown above. Lift capacity chart is based on machine located on a solid, level and uniform surface. Load ratings are at the arm bucket pin location, use of any attachment point in a different location to handle objects could affect excavator lift performance.



STANDARD EQUIPMENT

- 3 Speed travel with Auto shift
- Alternator, 90 Ampere, 24V
- AM/FM radio
- Automatic engine warm-up system
- Automatic air conditioner/heater
- Auto idle
- Auto Idle Shutdown (programmable)
- Lever lock Auto-lock
- Auxiliary input (3.5 mm jack)
- Batteries, large capacity
- Battery disconnect switch
- Boom and arm holding valves
- Carrier rollers (2 each side)
- Converter, (2) x 12V
- Counterweight, 4370 kg **9,634 lb**
- Dry type air cleaner, double element
- Electric horn
- EMMS monitoring system
- Engine, Komatsu SAA6D107E-3
- Extended work equipment grease interval
- Fan guard structure
- Fuel system pre-cleaner 10 micron
- High back air suspension seat, with heat
- Hydraulic track adjusters
- KOMTRAX® Level 5.0
- Large LCD color monitor, high resolution
- Lock lever
- Mirrors, (LH and RH)
- Operator Protective Top Guard (OPG), Level 1
- Operator Identification System
- Pattern change valve (ISO to BH control)
- Power maximizing system
- PPC hydraulic control system
- Pump/engine room partition cover
- Radiator and oil cooler dustproof net
- Rear reflectors
- Rearview monitoring system (1 camera)
- Revolving frame deck guard
- Revolving frame undercovers
- ROPS cab
- Seat belt, retractable, 76 mm **3"**
- Seat belt indicator
- Secondary engine shutoff switch
- Service valve
- Shoes, triple grouser, 800 mm **31.5"**
- Skylight
- Slip resistant foot plates
- Starter motor, 5.5kW/24V x 1
- Suction fan
- Thermal and fan guards
- Track frame undercover
- Track frame swivel guard
- Travel alarm
- Working lights, 2 (boom and RH front)
- Working mode selection system



OPTIONAL EQUIPMENT

- Additional front working lights, 2 cab roof lights
- Arm
 - 2925 mm **9'7"** HD arm assembly
 - 2925 mm **9'7"** HD arm assembly with piping
- Boom
 - 5700 mm **18'8"** HD boom assembly
 - 5700 mm **18'8"** HD boom assembly with piping
- Cab guards
 - Full front guard, OPG Level 1
 - Full front guard, OPG Level 2
 - Bolt-on top guard, OPG Level 2
- High pressure in-line hydraulic filters
- Hydraulic control unit, 1 actuator
- Komvision
- Rain visor
- Revolving frame undercovers, heavy duty
- Shoes, triple grouser, 700 mm **28"**
- Straight travel pedal
- Sun visor
- Track roller guards, full length



ATTACHMENT OPTIONS

- ATB IMU, field install kit
- Cab air pre-cleaner
- Hydraulic couplers
- Hydraulic kits, field installed
- Komvision, field install kit
- Super long fronts
- PSM thumbs
- Rockland thumbs
- Vandalism protection guards with storage box

For a complete list of available attachments, please contact your local Komatsu distributor.

KOMATSU®

Note: All comparisons and claims of improved performance made herein are made with respect to the prior Komatsu model unless otherwise specifically stated.